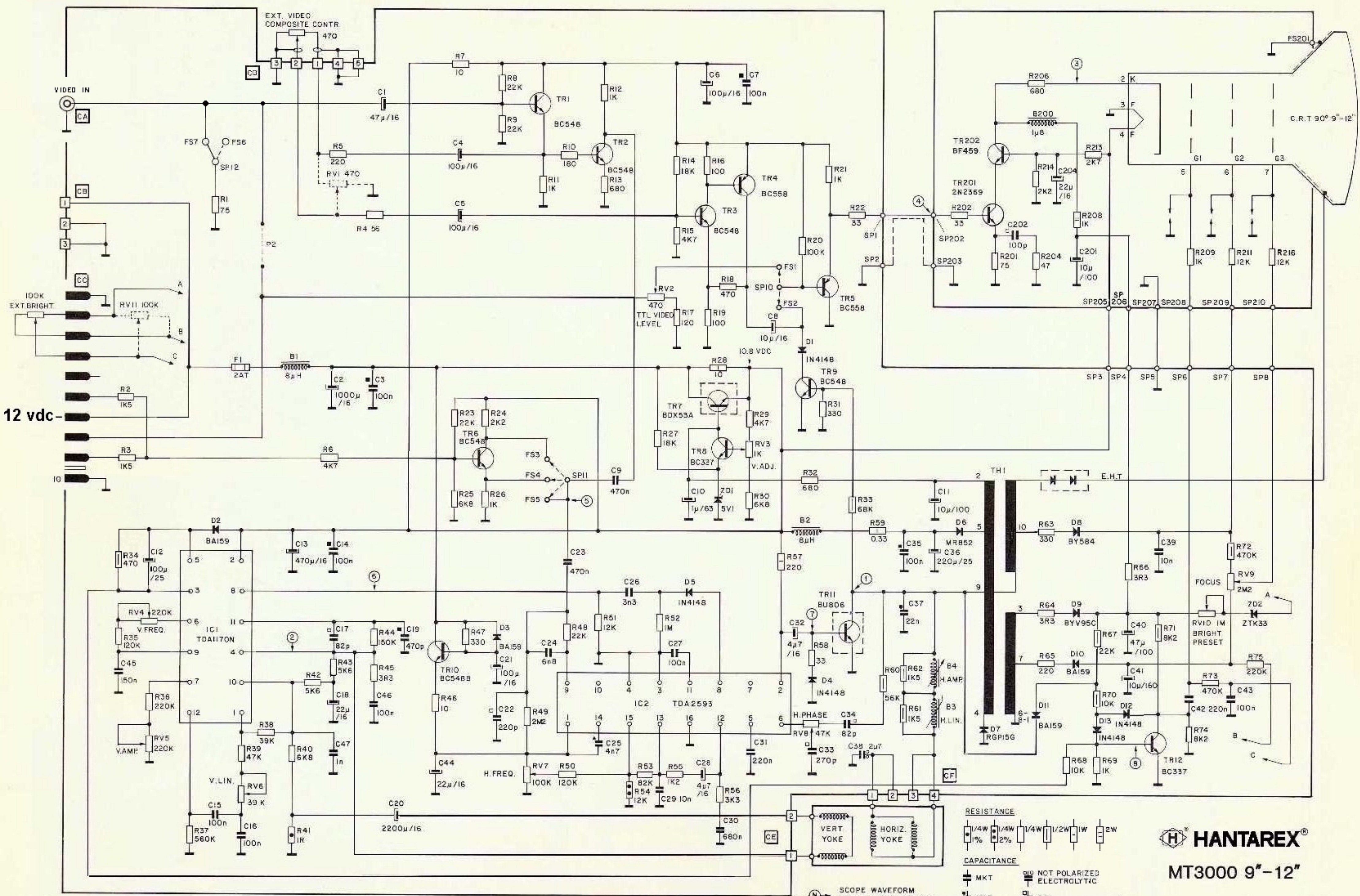


schematic diagram



RESISTANCE

1/4W 1% 1/4W 2% 1/4W 1% 1/2W 1W 2W

CAPACITANCE

MKT NOT POLARIZED
MKP CER. HIGH STABILITY
KP-MKP 2% CER. BYPASS

HANTAREX®
MT3000 9"-12"

(N) SCOPE WAVEFORM REFERRED TO PHOTO Nr.