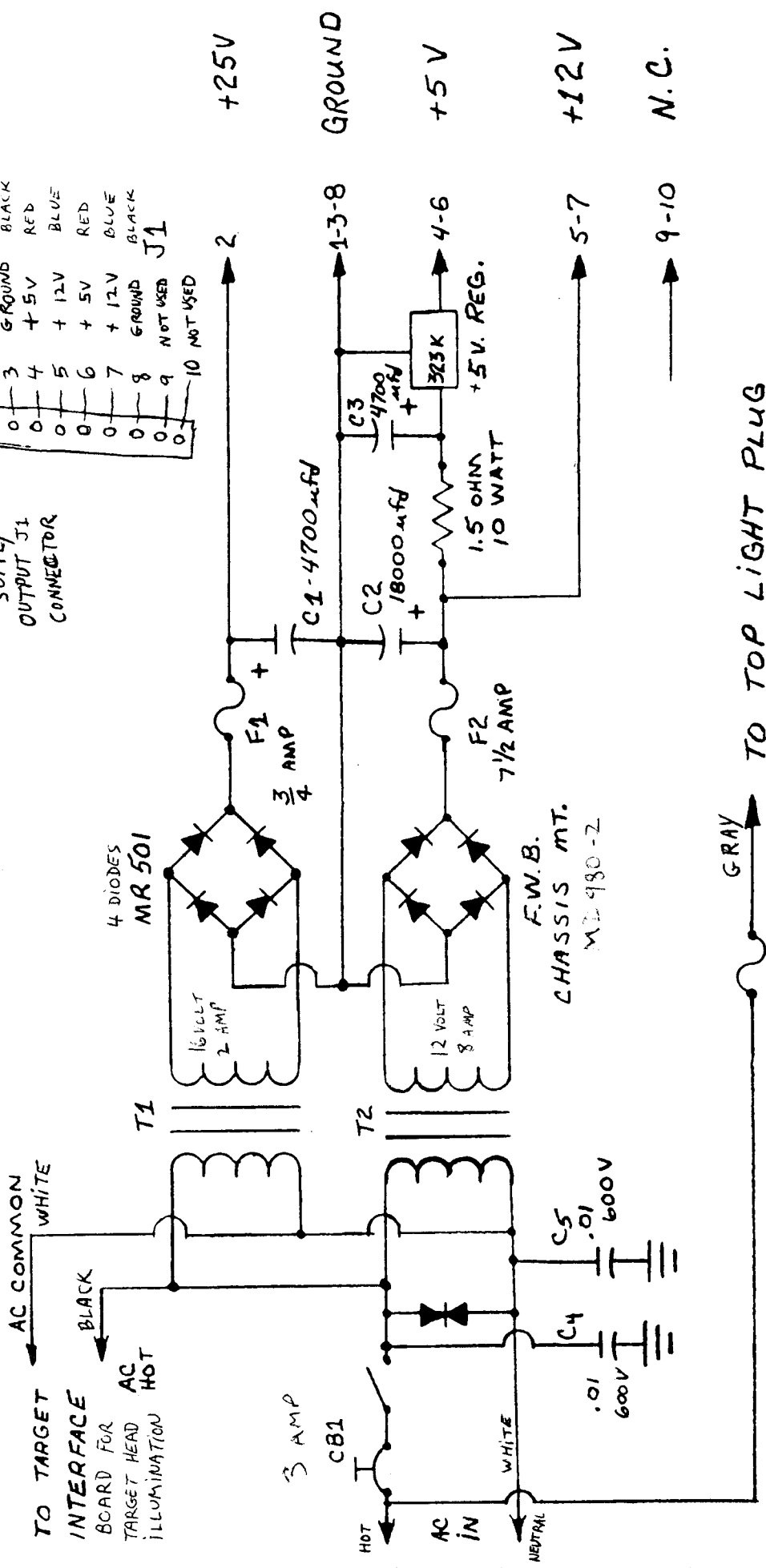


1	GROUND	BLACK
2	+ 25V	PURPLE
3	GROUND	BLACK
4	+ 5V	RED
5	+ 12V	BLUE
6	+ 5V	RED
7	+ 12V	BLUE
8	GROUND	BLACK
9	NOT USED	BLACK
10	NOT USED	BLACK

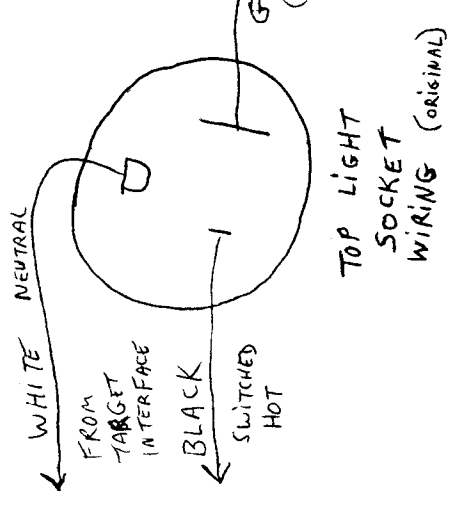
POWER SUPPLY OUTPUT J1 CONNECTOR



TO TOP LIGHT PLUG

+ 5VOLT REG: SK 9067 / 931

F3 3/4 AMP



ARACHNID INC. 208 N. MADISON ROCKFORD ILL. 61104	
SCALE:	APPROVED BY:
DATE: 4-30-84	
5000 SERIES POWER SUPPLY	
DRAWING NUMBER 922-15	
DRAWN BY EGH	
REVISED	